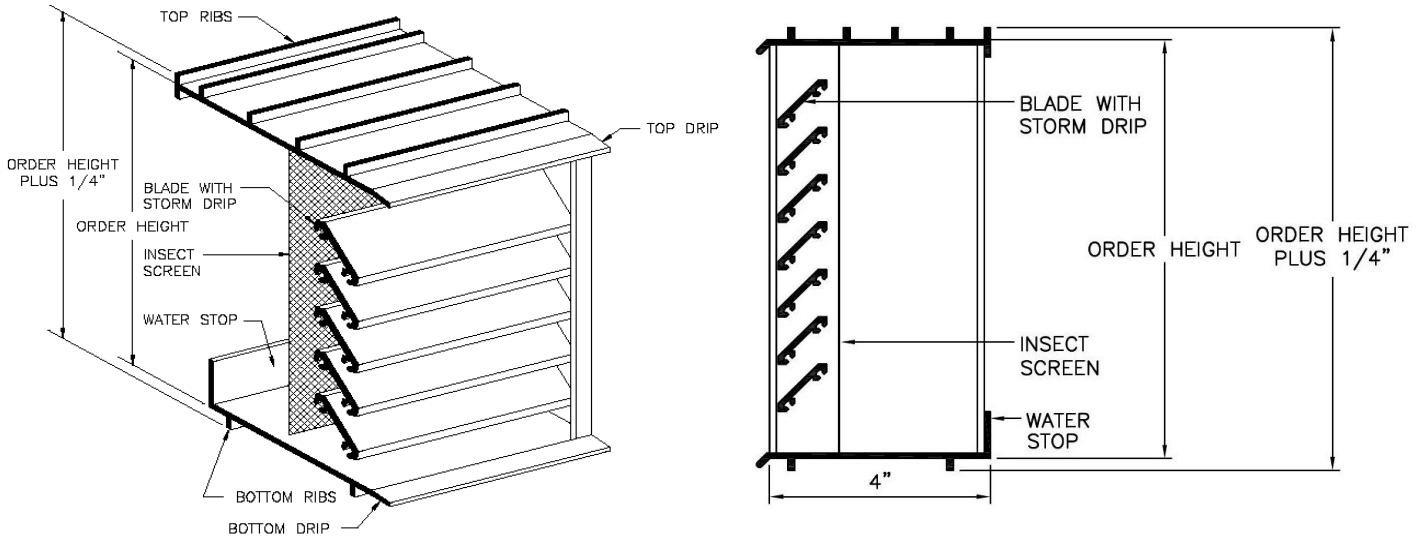


MODEL "EX"

4" Deep Channel Frame EXTRUDED ALUMINUM BRICK VENTS



QTY	MODEL #	ORDER SIZE	FINISHED DIMENSIONS (+1/4" to order height for top and bottom ribs)	MINIMUM OPENING REQUIRED

- Extruded aluminum to be 6063 - T5 Alloy. Minimum .125" thick.
- Blades are 1" deep, set at 45° angles, 1" on center.
- For any unit over 30" wide - do not mortar jamb sections.

FINISH:

SCREENS: 18 X 14 aluminum mesh

SUNVENT INDUSTRIES By SYLRO SALES CORP. 1 Industrial Drive, #26 Pelham NH, 03076 Toll Free: 1-800-325-4115 In NH: 603-595-4556 Fax: 603-595-4778 www.sunventindustries.com info@sunventindustries.com	PROJECT:		
	LOCATION:		
	ARCHITECT:		
	CONTRACTOR:		JOB NO:
	AGENT:		ORDER NO:
	DATE: 12/20/2012	REVISIONS:	DWG NO: EX